

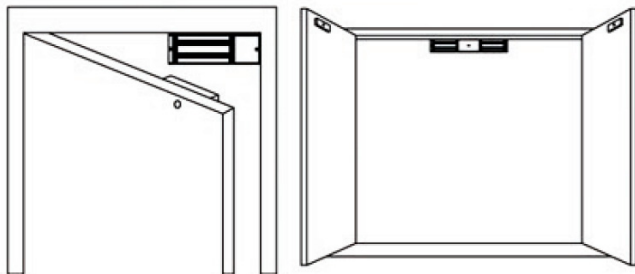
WA600 Electromagnetic Lock



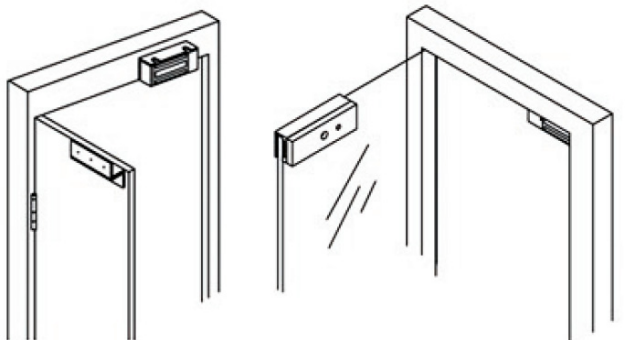
Specification

Model	WA300	WA600	WA1200
Holding Force	300LB	600LB	1200LB
Installation	Exposed Type	Exposed Type	Exposed Type
Suitable	Outswing door, Inswing door, Drawer and Cupboard.	Outswing / Inswing door	Outswing / Inswing door
Dimensions of magnet	166L x 38.6W x 21.5D mm	250L x 47.2W x 26.6D mm	266L x 73W x 40D mm
Dimensions of Armature plate	130L x 32W x 8T mm	185L x 38W x 12.5T mm	185L x 61W x 16T mm
Power Input	12VDC	12VDC	12VDC
Current Consumption	360mA	500mA	500mA
Optional Brackets	Model	Model	Model
L&Z Bracket	MLA-300	MLA-002	MLA-1200
Adjustable L Bracket	MLA-300L	MLA-003	Armature plate (1200LB)
U bracket for Glass door	U-130	MLA-004	MLA-004

Door Installation

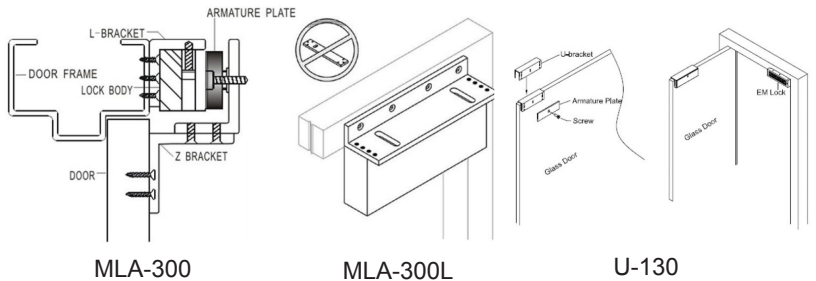


Single lock
Double locks
(Suitable out-swing door leaf)

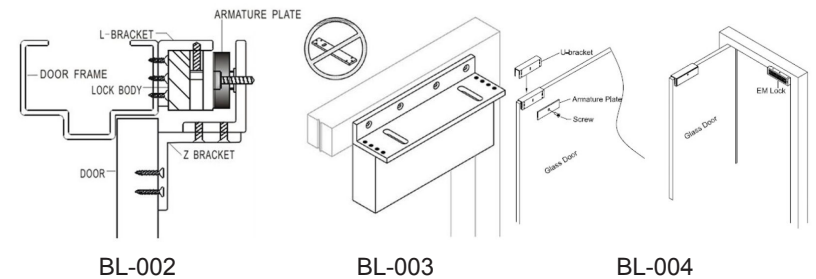


LZ Bracket
U Bracket
(Suitable in-swing door leaf) (Suitable glass door leaf)

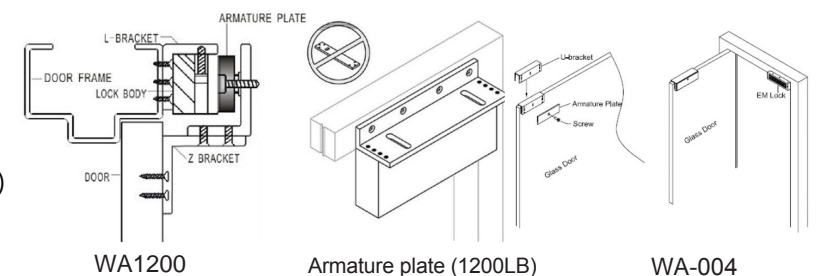
WA300 Surface Mount



WA600 Surface Mount



WA1200 Surface Mount



* Product design and specifications are subject to change without prior notice.